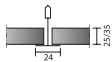


# Ecophon Saga™ A

Ecophon Saga™ A has an exposed grid system with easily demountable tiles. Glass wool is for a system with optimised sound absorption. Used in interior design of public and residential buildings, for a natural and warm look.



## SYSTEM RANGE



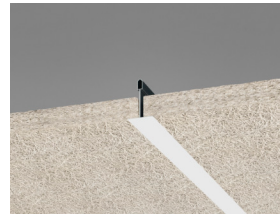
Size, mm	600x600	1200x600
T24	•	•
Thickness (THK)	25	25
Inst. Diagr.	M573, M579	M573, M579



Saga A panel



Saga A System



Saga A Section

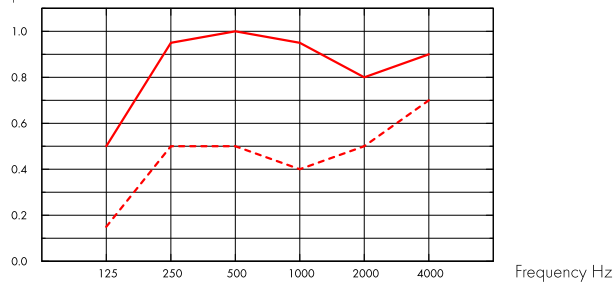
## Acoustic



### Sound Absorption:

Test results according to EN ISO 354. Classification according to EN ISO 11654, and the single value ratings for Noise Reduction Coefficient, NRC and Sound Absorption Average, SAA according to ASTM C 423.

$\alpha_p$ , Practical sound absorption coefficient



--- Saga A, 200 mm o.d.s.  
 — Saga A + Saga Acoustic, 200 mm o.d.s.  
 o.d.s = overall depth of system

	THK mm	o.d.s. mm	$\alpha_p$ , Practical sound absorption coefficient					$\alpha_w$	Sound absorption class	
			125 Hz	250 Hz	500 Hz	1000 Hz	2000 Hz			4000 Hz
-	25	200	0.15	0.50	0.50	0.40	0.50	0.70	0.50	D
+ Saga Acoustic	65	200	0.50	0.95	1.00	0.95	0.80	0.90	0.90	A

	THK mm	o.d.s. mm	NRC	SAA
-	25	200	0.50	0.48
+ Saga Acoustic	65	200	0.95	0.92

## Indoor Air Quality



Certificate / Label	
Eurofins Indoor Air Comfort®	IAC Gold
French VOC	A+
Finnish M1	•



## Carbon footprint



	kg CO <sub>2</sub> equiv/m <sup>2</sup>	Life-cycle stages A1 to C4 from EPD, in conformity with ISO 14025 / EN 15804
Saga (white cement)	6,41	
Saga (grey cement)	4,80	
Saga (white cement) + Saga Acoustic	8,73	
Saga (grey cement) + Saga Acoustic	7,12	



### Circularity



Products are made with FSC certified wood.



### Fire safety

Country	Fire standard	Class
Europe	EN 13501-1	B-s1,d0



### Humidity Resistance

Class C, relative humidity 95% and 30°C, according to EN 13964:2014



### Thermal Properties

Thermal conductivity  $\lambda = 0,1 \text{ W/m-K}$  according to EN 12664.



### Visual appearance

Super fine fibres 1.0 mm. Light reflectance and nearest NCS colour sample for all the different colours: See Ecophon Colours and surfaces.



### Mould and Bacterial Resistance

Standard/Method	
ISO 846 A	0
ISO 846 C	0



### Accessibility

The tiles are demountable.



### System weight

The weight of the system (including suspension grid) should be approximately  $16 \text{ kg/m}^2$  ( $18,5 \text{ kg/m}^2$  with additional Saga Acoustic acoustic absorber).



### Mechanical properties

See table regarding the min- and max- load bearing capacities and functional demands. Additional live load has to be fixed to the soffit.



### Impact Resistance

Thickness	M-sketch	Classification
25	M579	2A

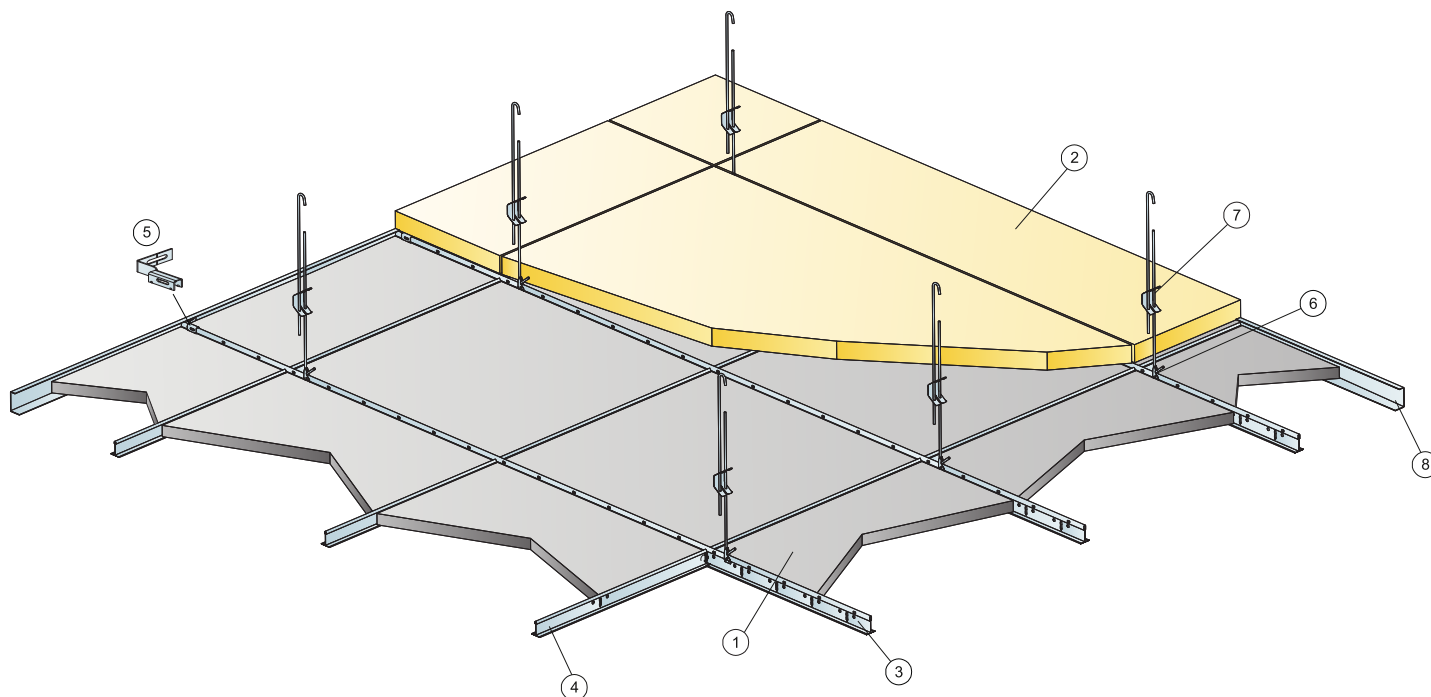
Tested and classified according to EN 13964 annex D.



### CE

Ecophon Saga products are CE-marked according to the European harmonized standard EN13964:2014 (suspended ceilings). CE marked construction products are covered by a Declaration of Performance (DOP) which enables customers and users to easily compare performance of products available on the European market.

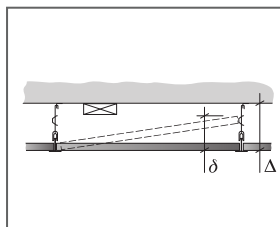
## INSTALLATION DIAGRAM (M573) FOR ECOPHON SAGA A



© Saint-Gobain Ecophon AB

### QUANTITY SPECIFICATION (EXCL. WASTAGE)

	Size, mm	
	600x600	1200x600
1 Saga A	2,8/m <sup>2</sup>	1,4/m <sup>2</sup>
2 Saga Acoustic or mineral wool (if required)	as required	as required
3 Connect T24 Main runner HD, installed at 600 mm centres (max. distance from wall 600 mm).	1,7m/m <sup>2</sup>	1,7m/m <sup>2</sup>
4 Connect T24 Cross tee, L=600 mm	1,7m/m <sup>2</sup>	0,9m/m <sup>2</sup>
5 Connect Wall Bracket, fixed at Main runner	2/suspended row of Main runner	
6 Connect Hanger Clip	1,4/m <sup>2</sup>	1,4/m <sup>2</sup>
7 Connect Adjustable hanger, installed at 1200 mm centres	1,4/m <sup>2</sup>	1,4/m <sup>2</sup>
8 Connect Channel trim, fixed at 300 mm centres.	as required	as required
Δ Min. overall depth of system, with adjustable hanger: 100 mm	-	-
δ Min. demounting depth: 170 mm	-	-

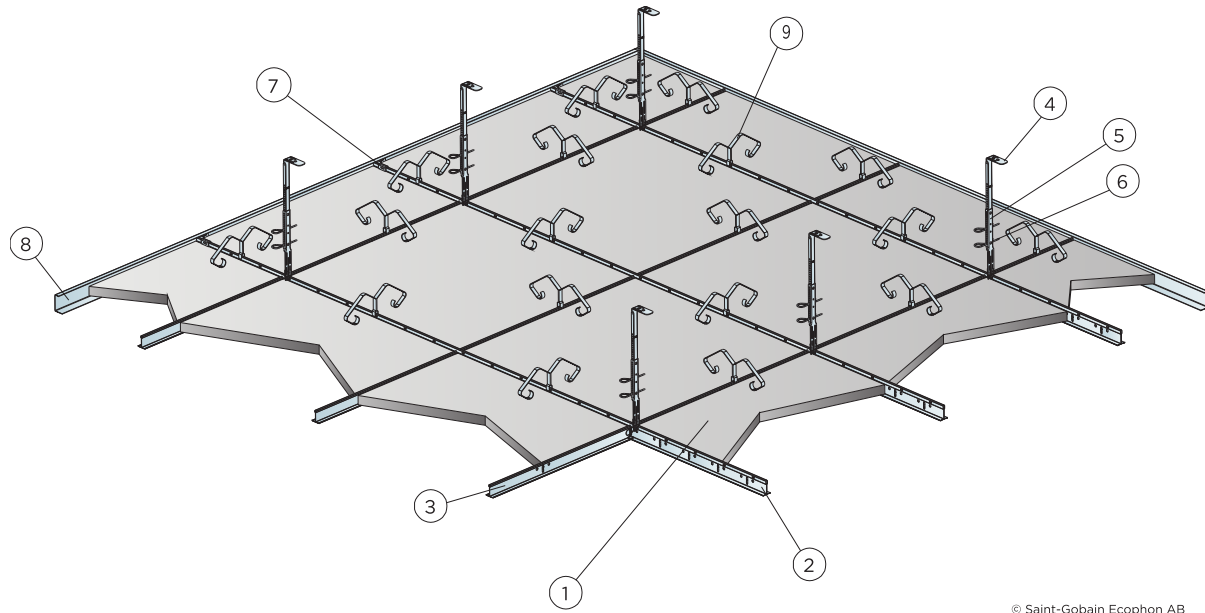


See Quantity specification

Size, mm	Max live load [N]	Min load bearing capacity [N]
600x600x25	0	160
1200x600x25	0	160

Live load/load bearing capacity

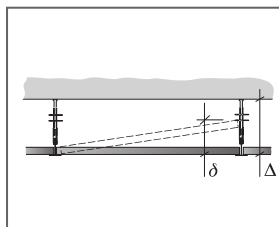
## INSTALLATION DIAGRAM (M579) FOR ECOPHON SAGA A, IMPACT RESISTANT



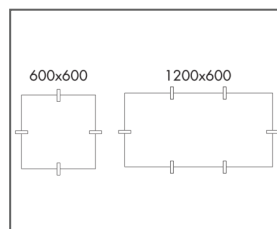
© Saint-Gobain Ecophon AB

### QUANTITY SPECIFICATION (EXCL. WASTAGE)

	Size, mm	
	600x600	1200x600
1 Saga A	2,8/m <sup>2</sup>	1,4/m <sup>2</sup>
2 Connect T24 Main runner HD , installed at 600 mm centres (max. distance from wall 600 mm).	1,7m/m <sup>2</sup>	1,7m/m <sup>2</sup>
3 Connect T24 Cross tee, L=600 mm	1,7m/m <sup>2</sup>	0,9m/m <sup>2</sup>
4 Connect Nonius hanger upper, installed at 1200 mm centres	1,4/m <sup>2</sup>	1,4/m <sup>2</sup>
5 Connect Nonius Hanger Lower, installed with spacing 1200 mm	1,4/m <sup>2</sup>	1,4/m <sup>2</sup>
6 Connect Split pin (2/hanger)	1,4/m <sup>2</sup>	1,4/m <sup>2</sup>
7 Connect Wall Bracket, fixed at Main runner	2/suspended row of Main runner	
8 Connect Channel trim, fixed at 300 mm centres.	as required	as required
9 Euroclip	5,6/m <sup>2</sup>	4,2/m <sup>2</sup>
Δ Min. overall depth of system: Δ 230 mm	-	-
δ Min. demounting depth: 170 mm	-	-



See Quantity specification



Arrangement of clips

Size, mm	Max live load [N]	Min load bearing capacity [N]
600x600x25	40	160
1200x600x25	40	160

Live load/load bearing capacity

# Ecophon Saga™ B

Ecophon Saga™ B is bonded edge-to-edge and directly fixed using screws. The bevelled edge creates a narrow groove between the tiles. For applications where the minimum possible overall depth of system is required.



## SYSTEM RANGE



Size, mm	600x600	1200x600
Direct	•	•
Direct to grid, mechanically	•	•
Suspended	•	•
Wall	•	•
Thickness (THK)	25	25
Inst. Diagr.	M575, M576, M578	M575, M576, M578



Saga B panel



Saga B System



Saga B Section

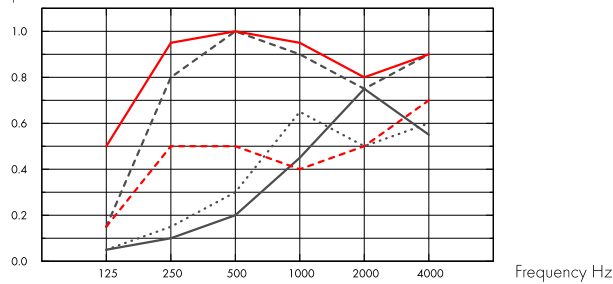
## Acoustic



### Sound Absorption:

Test results according to EN ISO 354. Classification according to EN ISO 11654, and the single value ratings for Noise Reduction Coefficient, NRC and Sound Absorption Average, SAA according to ASTM C 423.

$\alpha_p$ , Practical sound absorption coefficient



- Saga B, 25 mm o.d.s.
  - .... Saga B, 50 mm o.d.s.
  - Saga B + Saga Acoustic, 70 mm o.d.s.
  - .-.- Saga B, 200 mm o.d.s.
  - Saga B + Saga Acoustic, 200 mm o.d.s.
- o.d.s = overall depth of system

	THK mm	o.d.s. mm	$\alpha_p$ , Practical sound absorption coefficient						$\alpha_w$	Sound absorption class
			125 Hz	250 Hz	500 Hz	1000 Hz	2000 Hz	4000 Hz		
-	25	25	0.05	0.10	0.20	0.45	0.75	0.55	0.30	D
-	25	50	0.05	0.15	0.30	0.65	0.50	0.60	0.35	D
+ Saga Acoustic	65	70	0.15	0.80	1.00	0.90	0.75	0.90	0.85	B
-	25	200	0.15	0.50	0.50	0.40	0.50	0.70	0.50	D
+ Saga Acoustic	65	200	0.50	0.95	1.00	0.95	0.80	0.90	0.90	A

	THK mm	o.d.s. mm	NRC	SAA
-	25	25	0.40	0.37
-	25	50	0.40	0.41
+ Saga Acoustic	65	70	0.85	0.89
-	25	200	0.50	0.48
+ Saga Acoustic	65	200	0.95	0.92

## Indoor Air Quality



Certificate / Label	
Euofins Indoor Air Comfort®	IAC Gold
French VOC	A+
Finnish M1	•





## Carbon footprint

	kg CO <sub>2</sub> equiv/m <sup>2</sup>	Life-cycle stages A1 to C4 from EPD, in conformity with ISO 14025 / EN 15804
Saga (white cement)	6,41	
Saga (grey cement)	4,80	
Saga (white cement) + Saga Acoustic	8,73	
Saga (grey cement) + Saga Acoustic	7,12	



## Circularity



Products are made with FSC certified wood.



## Fire safety

Country	Fire standard	Class
Europe	EN 13501-1	B-s1,d0



## Thermal Properties

Thermal conductivity  $\lambda = 0,1$  W/m-K according to EN 12664.



## Humidity Resistance

Class C, relative humidity 95% and 30°C, according to EN 13964:2014



## Visual appearance

Super fine fibres 1.0 mm. Light reflectance and nearest NCS colour sample for all the different colours: See Ecophon Colours and surfaces.



## Accessibility

The tiles are not demountable.



## Mould and Bacterial Resistance

Standard/Method	
ISO 846 A	0
ISO 846 C	0



## System weight

The weight of the system (including suspension grid) should be approximately 17,5 kg/m<sup>2</sup> (20,0 kg/m<sup>2</sup> with additional Saga Acoustic acoustic absorber).



## Mechanical properties

See table regarding the min- and max- load bearing capacities and functional demands. Additional live load has to be fixed to the soffit.





## Impact Resistance

Thickness	M-sketch	Classification
25	M575	1A

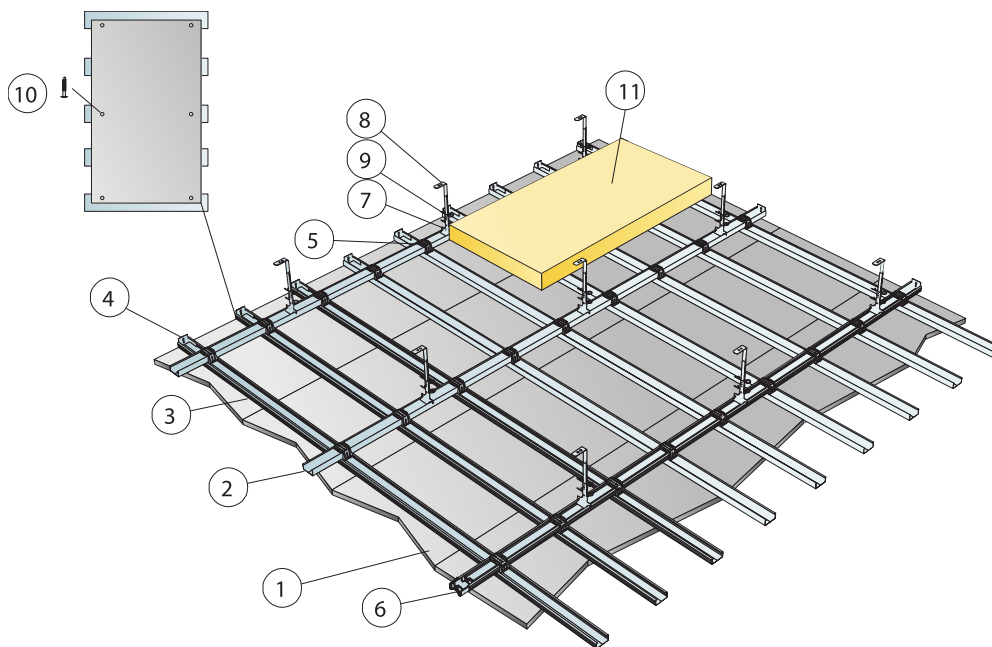
Tested and classified according to EN 13964 annex D.



## CE

Ecophon Saga products are CE-marked according to the European harmonized standard EN 13964:2014 (suspended ceilings). CE marked construction products are covered by a Declaration of Performance (DOP) which enables customers and users to easily compare performance of products available on the European market.

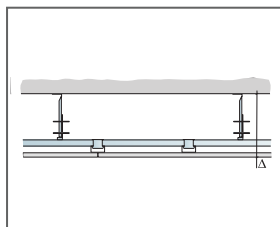
## INSTALLATION DIAGRAM (M575) FOR ECOPHON SAGA B, IMPACT RESISTANT SYSTEM WITH GRIDS.



©Saint Gobain Ecophon AB

### QUANTITY SPECIFICATION (EXCL. WASTAGE)

		Size, mm	
		600x600	1200x600
1	Saga B	2,8/m <sup>2</sup>	1,4/m <sup>2</sup>
2	Connect C-profile Plus, L=3100 mm, installed 900 mm centres	1,2m/m <sup>2</sup>	1,2m/m <sup>2</sup>
3	Connect C-profile Plus, L=3100 mm, installed 300 mm centres	3,4m/m <sup>2</sup>	3,4m/m <sup>2</sup>
4	Connect Wall bracket Plus	as required	as required
5	Connect X-connector Plus	7,4/m <sup>2</sup>	7,4/m <sup>2</sup>
6	Connect Splice connector Plus	1,2/m <sup>2</sup>	1,2/m <sup>2</sup>
7	Connect Nonius hanger lower, installed at 900 mm centres	1,2/m <sup>2</sup>	1,2/m <sup>2</sup>
8	Connect Nonius hanger upper, installed at 900 mm centres	1,2/m <sup>2</sup>	1,2/m <sup>2</sup>
9	Connect Split pin (2/hanger)	2,3/m <sup>2</sup>	2,3/m <sup>2</sup>
10	Connect Saga Fixation	9pcs/panel	15pcs/panel
11	Saga Acoustic or mineral wool (if required)	as required	as required
Δ Min. overall depth of system: 310 mm		-	-
δ Min. demounting depth: The system is not demountable		-	-

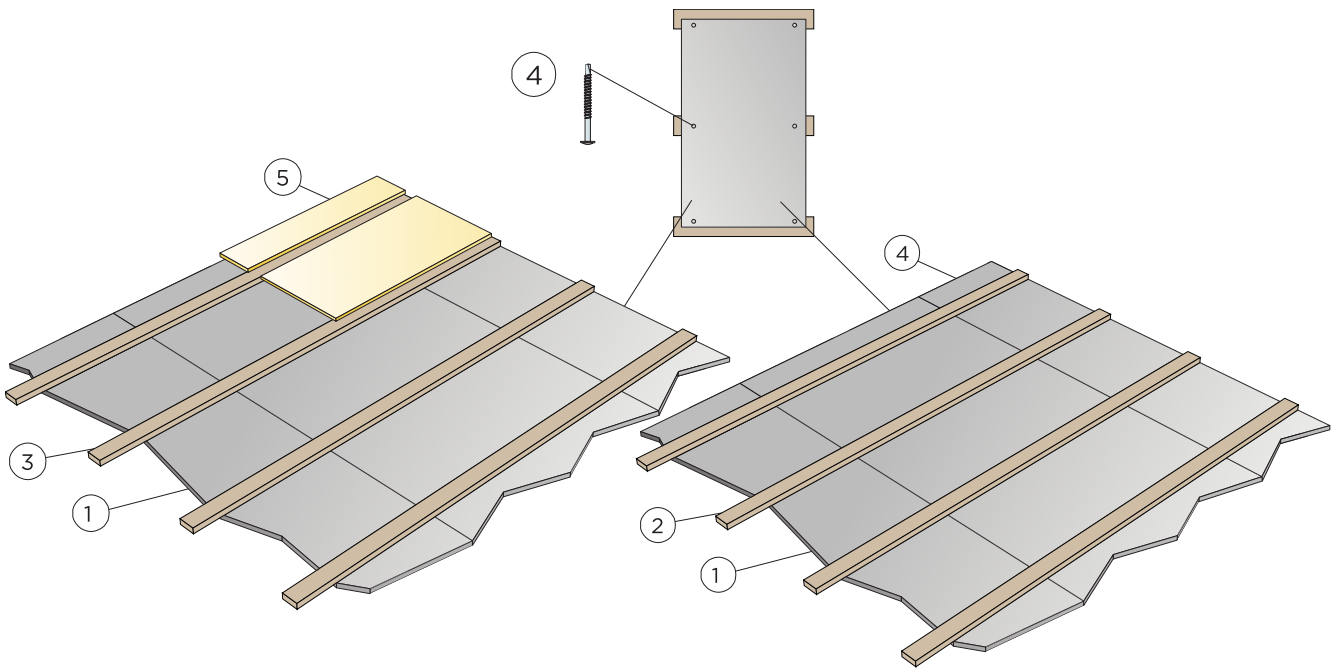


See Quantity specification

Size, mm	Max live load [N]	Min load bearing capacity [N]
600x600x25	0	160
1200x600x25	0	160

Live load/load bearing capacity

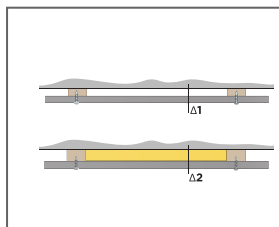
## INSTALLATION DIAGRAM (M576) FOR ECOPHON SAGA B, DIRECT FIXING SYSTEM (CEILING).



© Saint-Gobain Ecophon AB

### QUANTITY SPECIFICATION (EXCL. WASTAGE)

	Size, mm	
	600x600	1200x600
1 Saga B	2,8/m <sup>2</sup>	1,4/m <sup>2</sup>
2 Mounting wood laths 28x70, installed 600 mm centres	1,7/m <sup>2</sup>	1,7/m <sup>2</sup>
3 Alt Mounting wood laths 45x70, installed 600 mm centres for Saga Acoustic	1,7/m <sup>2</sup>	1,7/m <sup>2</sup>
4 Connect Saga Fixation	4pcs/panel	6pcs/panel
5 Saga Acoustic or mineral wool (if required)	as required	as required
Δ Min. overall depth of system: Δ1 50 mm / Δ2 70 mm The system is not demountable	-	-
	-	-

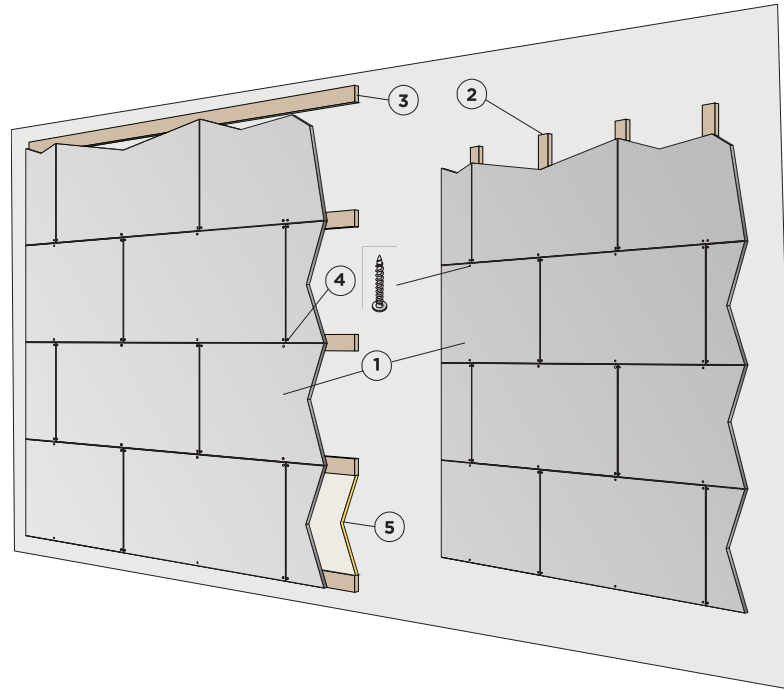


See Quantity specification

Size, mm	Max live load [N]	Min load bearing capacity [N]
600x600x25	-	-
1200x600x25	-	-

Live load/load bearing capacity

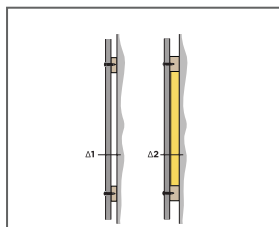
## INSTALLATION DIAGRAM (M578) FOR ECOPHON SAGA B, LATHING WALL SYSTEM.



© Saint-Gobain Ecophon AB

### QUANTITY SPECIFICATION (EXCL. WASTAGE)

	Size, mm	
	600x600	1200x600
1 Saga B	2,8/m <sup>2</sup>	1,4/m <sup>2</sup>
2 Mounting wood laths 28x70, installed 600 mm centres	1,7/m <sup>2</sup>	1,7/m <sup>2</sup>
3 Alt Mounting wood laths 45x70, installed 600 mm centres for Saga Acoustic	1,7/m <sup>2</sup>	1,7/m <sup>2</sup>
4 Connect Saga Fixation	4pcs/panel	6pcs/panel
5 Saga Acoustic or mineral wool (if required)	as required	as required
Δ Min. overall depth of system: Δ1 50 mm / Δ2 70 mm The system is not demountable	-	-
	-	-



See Quantity specification

Size, mm	Max live load [N]	Min load bearing capacity [N]
600x600x25	-	-
1200x600x25	-	-

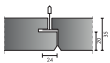
Live load/load bearing capacity

# Ecophon Saga™ D

Ecophon Saga D has a concealed grid and bevelled edges with a narrow groove between each tile. For applications with high demand on both acoustics and design, and where individual tiles must be easily demountable. Installed with Precision Lock system - patent pending.



## SYSTEM RANGE



Size, mm

Thickness (THK)

Inst. Diagr.



Saga D panel



Saga D System



Saga D Section



## Indoor Air Quality

Certificate / Label	
Eurofins Indoor Air Comfort®	IAC Gold
French VOC	A+
Finnish M1	•



## Carbon footprint

	kg CO <sub>2</sub> equiv/m <sup>2</sup>	Life-cycle stages A1 to C4 from EPD, in conformity with ISO 14025 / EN 15804
Saga (white cement)	8,97	
Saga (grey cement)	6,72	
Saga (white cement) + Saga Acoustic	11,29	
Saga (grey cement) + Saga Acoustic	9,04	



## Circularity



Products are made with FSC certified wood.



## Fire safety

Country	Fire standard	Class
Europe	EN 13501-1	B-s1,d0



## Humidity Resistance

Class C, relative humidity 95% and 30°C, according to EN 13964:2014



## Thermal Properties

Thermal conductivity  $\lambda = 0,1$  W/m·K according to EN 12664.



## Mould and Bacterial Resistance

Standard/Method	
ISO 846 A	0
ISO 846 C	0



### Accessibility

---

The tiles are demountable.



### System weight

---

kg/m <sup>2</sup>	35 mm
Elegant	16.5
Discreet	16.0
Normal	15.0

Weight information is indicative and subject to variation.



### Mechanical properties

---

See table regarding the min- and max- load bearing capacities and functional demands. Additional live load has to be fixed to the soffit.



### CE

---

Ecophon Saga products are CE-marked according to the European harmonized standard EN13964:2014 (suspended ceilings). CE marked construction products are covered by a Declaration of Performance (DOP) which enables customers and users to easily compare performance of products available on the European market.