

Ecophon Master™ Eg

Design guidance



Ecophon Master™ Eg

Unique design with a floating appearance

Ecophon Master™ Eg is a patent-pending system suitable for open-plan offices or other premises where strict demands are made on good acoustics.

The system have black painted edges and a black grid that conceals the supporting tile edges, creating a distinctive floating appearance. Four supporting edges, makes it easy to install and demount. Use the pre-designed systems or create an individual design with your choice of combination of panel sizes with the help of this guide.

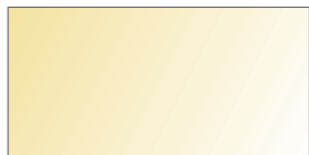



This publication shows products from Ecophon product range and those of other suppliers. The specifications are intended to provide a general guide to which products are most suitable for the preferences indicated. Technical data is based on results obtained under typical testing conditions or long experience in normal conditions. The specified functions and properties for products and systems are only valid on condition that instructions, installation diagrams, installation guides, maintenance instructions and other stated conditions and recommendations have been taken into consideration and followed. Deviation from this, such as changing specific components or products, will mean that Ecophon cannot be held responsible for the function, consequences and properties of the products. All descriptions, illustrations and dimensions contained in this brochure represent general information and shall not form part of any contract. Ecophon reserves the right to change products without prior notice. We disclaim any liability for misprints. For the latest information go to www.ecophon.com or contact your nearest Ecophon representative.

© Ecophon Group 2020
Idea and layout: Saint-Gobain Ecophon. Printer: XXX. Cover: Citat, IBL/Studio.e.se

Panels

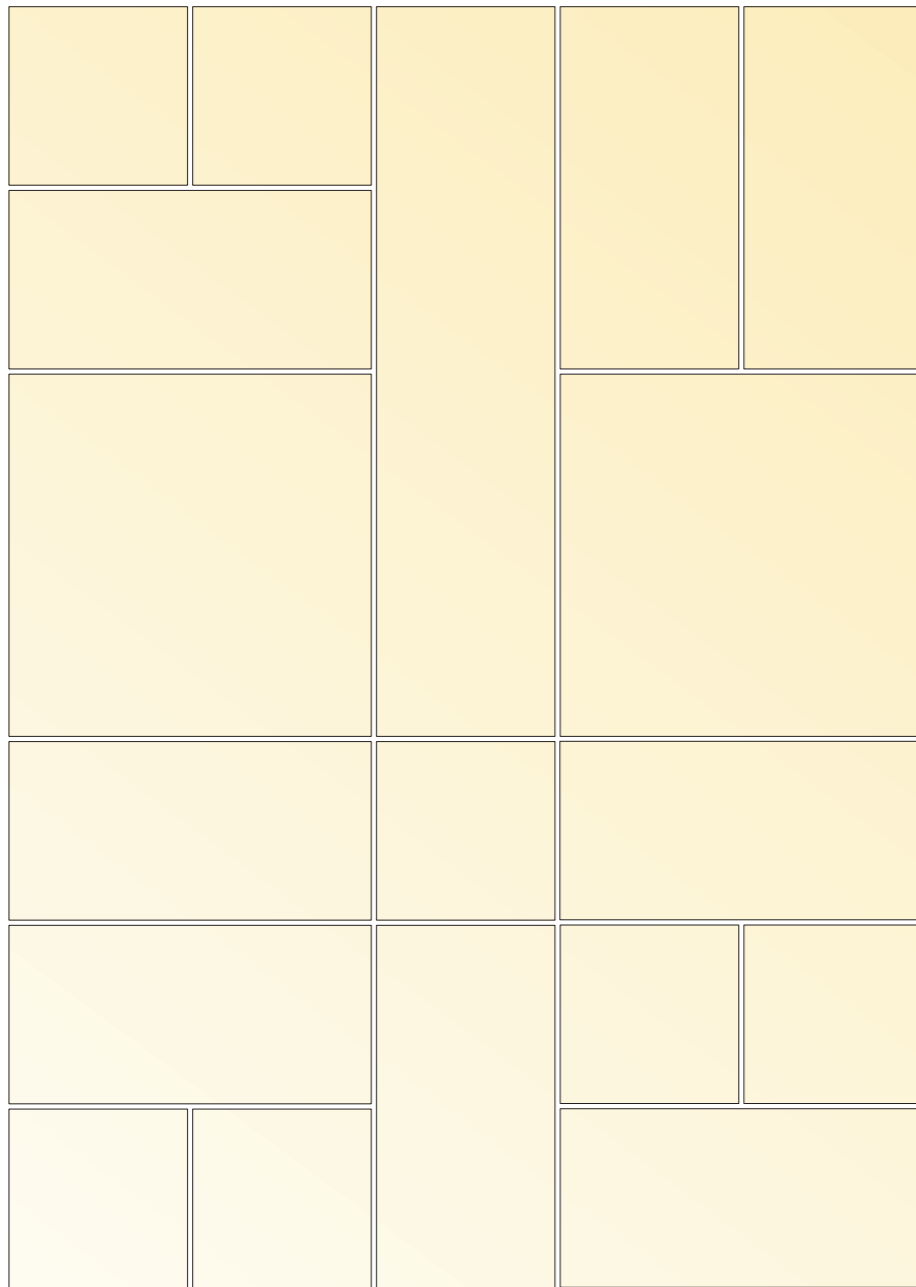
sizes and directions

Modular size	Thickness	Panel	Grid	Panel orientation related to main runner direction
600x600 mm	40 mm		Connect T24	↔ ↕
1200x600 mm	40 mm		Connect T24	↔ ↕
1200x1200 mm	40 mm		Connect T24	↔ ↕
2400x600 mm	40 mm		Connect T24	↔

Panels

Design possibilities

Hanger spacing along the main runner need to be 1200 mm when designing your own system.



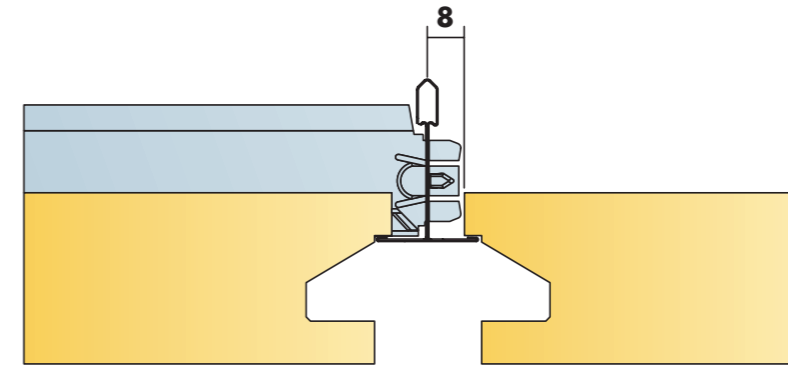
Note:

The gap between panels is 24 mm.

Technical requirements

Connect T24 Cross Tee requirements

The stick out distance of the Connect T24 Cross Tee need to be below 8 mm if systems are mixed or panel brick pattern is applied, otherwise it is not possible to install panels.



Ecophon[®]

SAINT-GOBAIN

A SOUND EFFECT ON PEOPLE

Ecophon is the leading supplier of acoustic solutions. We contribute to healthier indoor environments, improving quality of life, wellbeing and working performance. As evolution has adapted the human senses to a life outdoors, our focus is to bring the ideal acoustic environments of nature into our modern indoor spaces. We know they will have a sound effect on people.



The principles guiding our work are grounded in our Swedish heritage, where a human approach and a common responsibility for people's lives and future challenges come naturally.

Ecophon is part of the Saint-Gobain Group, a world leader in sustainable habitat solutions. This is also one of the top 100 industrial groups in the world, constantly innovating to make living spaces more comfortable and cost-efficient. Saint-Gobain offer solutions to the major challenges of energy efficiency and environmental protection. No matter what new needs emerge in the habitat and construction markets, the future is made of Saint-Gobain.



www.ecophon.com